

FiDO 3G Series

SDI/Optical Fiber Mini-Converters



Installation and Operation Guide

Version 1.2
Published November 15, 2023



Notices

Trademarks

AJA® and Because it matters.® are registered trademarks of AJA Video Systems, Inc. for use with most AJA products. AJA™ is a trademark of AJA Video Systems, Inc. for use with recorder, router, software and camera products. Because it matters.™ is a trademark of AJA Video Systems, Inc. for use with camera products.

Corvid Ultra®, Io®, Ki Pro®, KONA®, KUMO®, ROI® and T-Tap® are registered trademarks of AJA Video Systems, Inc.

AJA Control Room™, KiStor™, Science of the Beautiful™, TruScale™, V2Analog™ and V2Digital™ are trademarks of AJA Video Systems, Inc.

All other trademarks are the property of their respective owners.

Copyright

Copyright © 2023 AJA Video Systems, Inc. All rights reserved. All information in this manual is subject to change without notice. No part of the document may be reproduced or transmitted in any form, or by any means, electronic or mechanical, including photocopying or recording, without the express written permission of AJA Video Systems, Inc.

Contacting AJA Technical Support or Sales

Please have all pertinent information at hand prior to contacting AJA support or sales.

Support Telephone: +1.530.271.3190

Support Website: <https://www.aja.com/support/contact>

Support Email: support@aja.com

Sales Email: sales@aja.com

Shipping Address: AJA Video Systems
180 Litton Drive
Grass Valley, CA 95945, USA

Contents

Notices	2
Trademarks	2
Copyright	2
Contacting AJA Technical Support or Sales	2
Chapter 1 – Introduction	4
Overview	4
Features	4
Single-Mode FiDO Models (1310 nm)	4
Multi-Mode FiDO Models (850 nm)	5
FiDO Converter Simplified Block Diagrams	6
FiDO Converter I/O Connections	7
Installation	10
Operation	11
Appendix A – Specifications	12
FiDO-TR	12
FiDO-T	13
FiDO-R	14
FiDO-2T	15
FiDO-2R	16
FiDO-4T	17
FiDO-4R	18
FiDO-T-SC	19
FiDO-R-SC	20
FiDO-T-ST	21
FiDO-R-ST	22
FiDO-4T-ST	23
FiDO-4R-ST	24
FiDO-TR-MM	25
FiDO-T-MM	26
FiDO-R-MM	27
FiDO-2T-MM	28
FiDO-2R-MM	29
FiDO-4T-MM	30
FiDO-4R-MM	31
Appendix B – Safety and Compliance	32
Warranty Information	40

Chapter 1 – Introduction

Overview

FiDO SDI/Optical Fiber Mini-Converters allow the transport of 3G-SDI over distances of up to 10km (Single-Mode), 700M (OM4) and 300M (OM3) for Multi-Mode fiber optic cable. The compact, low profile enclosure is perfect for use in tight spaces such as equipment racks, trucks and crowded facilities. Choose from LC, ST, or SC connectors, depending on the converter model, for unmatched flexibility and cost efficiency.

FiDO Mini-Converters meet all relevant SMPTE specifications as well as offering electrical isolation to eliminate potential ground loop problems for a rugged, versatile solution that is suitable for a variety of applications.

Features

- Transport of 3G/HD/SD-SDI as well as DVB-ASI over optical fiber
- Automatic detection and re-clocking of 270Mb, 1.5Gb, and 3Gb SDI data rates
- Coax inputs are equalized
- Coax and fiber inputs are reclocked
- All SDI ancillary data including embedded audio is passed
- LC, ST or SC fiber connectors
- Simplex, duplex or quad models available
- Useful for eliminating ground loop problems
- Multi-Mode fiber options (with LC connectors) are available for FiDO models with SFP cages
- DWP-U-R1 power supply included
- Five Year warranty

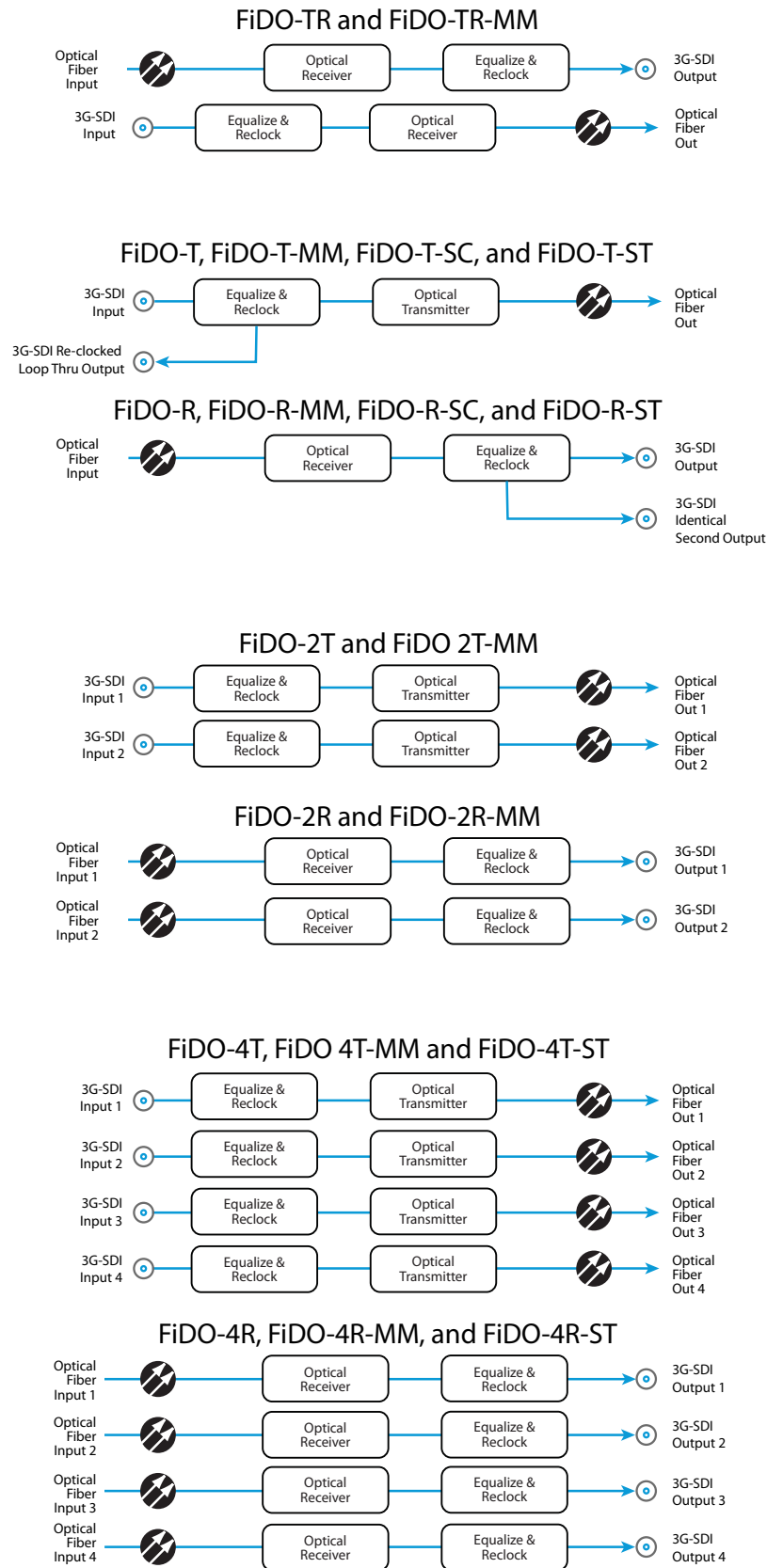
Single-Mode FiDO Models (1310 nm)

- FiDO-TR: Single channel SDI/LC fiber Transceiver
- FiDO-T: Single channel SDI to LC fiber Transmitter with looping SDI output
- FiDO-R: Single channel LC fiber to SDI Receiver with dual SDI outputs
- FiDO-2T: Dual channel SDI to LC fiber Transmitter
- FiDO-2R: Dual channel LC fiber to SDI Receiver
- FiDO-4T: Quad channel SDI to LC fiber Transmitter
- FiDO-4R: Quad channel LC fiber to SDI Receiver
- FiDO-T-SC: Single channel SDI to SC fiber Transmitter with looping SDI output
- FiDO-R-SC: Single channel SC fiber to SDI Receiver with dual SDI outputs
- FiDO-T-ST: Single channel SDI to ST fiber Transmitter with looping SDI output
- FiDO-R-ST: Single channel ST fiber to SDI Receiver with dual SDI outputs
- FiDO-4T-ST: Quad channel SDI to ST fiber Transmitter
- FiDO-4R-ST: Quad channel ST fiber to SDI Receiver

Multi-Mode FiDO Models (850 nm)

- FiDO-TR-MM: Single channel 3G-SDI/LC Multi-Mode LC Fiber Transceiver
- FiDO-T-MM: Single channel 3G-SDI to Multi-Mode LC Fiber Transmitter with looping SDI output
- FiDO-R-MM: Single channel Multi-Mode LC Fiber to 3G-SDI Receiver with dual SDI outputs
- FiDO-2T-MM: Dual channel 3G-SDI Multi-Mode LC Fiber Transmitter
- FiDO-2R-MM: Dual channel 3G-SDI Multi-Mode LC fiber to SDI Receiver
- FiDO-4T-MM: Quad channel 3G-SDI to Multi-Mode LC Fiber Transmitter
- FiDO-4R-MM: Quad channel Multi-Mode LC Fiber to 3G-SDI Receiver

FiDO Converter Simplified Block Diagrams



FiDO Converter I/O Connections









NOTE: Green illuminated LEDs labeled OPT, SDI, or LOCK indicate a signal has been detected and locked for that input.

NOTE: The OPT or LOCK indicator for optical receivers may flicker or glow dim with the optical input disconnected.

Installation

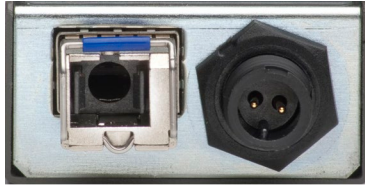
NOTE: AJA does not support use of any SFP modules other than our own; use of any non-AJA SFP module will void the warranty.

Installation consists of the following steps:

1. Connect video equipment to the FiDO converter BNCs.
2. Connect fiber to the FiDO Optical fiber connectors.

3. Connect single SC style Optical fiber connectors to the SC equipped FiDO converters (FiDO-T-SC, FiDO-R-SC).

Figure 1. SC Style Optical Fiber Connector



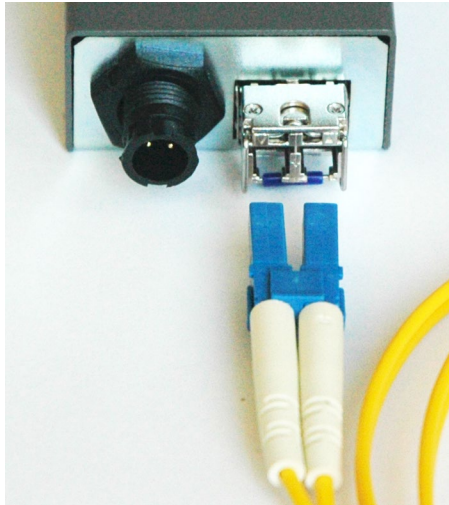
4. Connect ST style Optical fiber connectors to the ST equipped FiDO converters (FiDO-T-ST, FiDO-R-ST, FiDO-4T-ST, FiDO-4R-ST).

Figure 2. ST Style Optical Fiber Connector



5. FiDO-TR, FiDO-2T, and FiDO-2R all require either a duplex LC cable or two simplex LC cables. Insert each connector until it latches.

Figure 3. FiDO to Duplex LC Example



6. FiDO-T and FiDO-R require a single simplex LC cable connected to the optical port on the converter pointed to by the arrow (lower Optical In on FiDO-R, or higher Optical Out on FiDO-T).

NOTE: Fiber optic interconnections can be severely compromised by dirt, oils, or other contaminants. All dust caps should be replaced on cables and equipment whenever FiDO converters are disconnected from fiber optic cables.

7. Apply +5VDC power to the converter (AJA power supply included).

Operation

FiDO series converters have no user controls. No configuration or settings are required. Once powered, the FiDO converters will begin converting applied fiber/SDI signals.

Appendix A – Specifications

FiDO-TR

Video Formats

- 150 Mbps - 3 Gbps, format agnostic

Video Input Digital

- 1-channel independent 3G-SDI BNC Input, SMPTE-259/292/424
- 1-channel Single Mode LC Fiber Input, SMPTE-297
- Nominal Wavelength: 1260-1620 nm
- Optical Sensitivity: -18dBm (Max)
- Overload Power: -3dBm (Min)

Video Output Digital

- 1-channel independent 3G-SDI BNC Output, SMPTE-259/292/424
- 1-channel Single Mode LC Fiber Output, SMPTE-297
- Nominal Wavelength: 1310 nm
- Optical Power: -5dBm (Min), 0dBm (Max)
- Extinction Ratio: 7.5dB (Typ)

Reclocking

- 270 Mbps, 1.483 Gbps, 1.485 Gbps, 2.966 Gbps, 2.970 Gbps - Auto Select
- All other rates are passed through and not reclocked

Size (w x d x h)

- 4.6" x 1.71" x 0.85" (117.0 x 43.5 x 21.6mm)

Weight

- 0.4 lb (0.2 kg)

Power

- 3 watts, max
- Uses 5-20VDC power, AJA power supply model DWP-U-R1 included

Environment

- Safe Operating Temperature: 0 to 40 C (32 to 104 F)
- Safe Storage Temperature (Power OFF): -40 to 60 C (-40 to 140 F)
- Operating Relative Humidity: 10-90% noncondensing
- Operating Altitude: <3,000 meters (<10,000 feet)

FiDO-T

Video Formats

- 150 Mbps - 3 Gbps, format agnostic

Video Input Digital

- 1-channel independent 3G-SDI BNC Input with SDI Loop out, SMPTE-259/292/424

Video Output Digital

- 1-channel independent 3G-SDI BNC Output, SMPTE-259/292/424
- 1-channel Single Mode LC Fiber Output, SMPTE-297
- Nominal Wavelength: 1310 nm
- Optical Power: -5dBm (Min), 0dBm (Max)
- Extinction Ratio: 7.5dB (Typ)

Reclocking

- 270 Mbps, 1.483 Gbps, 1.485 Gbps, 2.966 Gbps, 2.970 Gbps - Auto Select
- All other rates are passed through and not reclocked

Size (w x d x h)

- 4.6" x 1.71" x 0.85" (117.0 x 43.5 x 21.6mm)

Weight

- 0.5 lb (0.3 kg)

Power

- 2 watts, max
- Uses 5-20VDC power, AJA power supply model DWP-U-R1 included

Environment

- Safe Operating Temperature: 0 to 40 C (32 to 104 F)
- Safe Storage Temperature (Power OFF): -40 to 60 C (-40 to 140 F)
- Operating Relative Humidity: 10-90% noncondensing
- Operating Altitude: <3,000 meters (<10,000 feet)

FiDO-R

Video Formats

- 150 Mbps - 3 Gbps, format agnostic

Video Input Digital

- 1-channel Single Mode LC Fiber Input, SMPTE-297
- Nominal Wavelength: 1260 - 1620 nm
- Optical Sensitivity: -18dBm (Max)
- Overload Power: -3dBm (Min)

Video Output Digital

- 1-channel Dual matching 3G-SDI BNC Outputs, SMPTE-259/292/424

Reclocking

- 270 Mbps, 1.483 Gbps, 1.485 Gbps, 2.966 Gbps, 2.970 Gbps - Auto Select
- All other rates are passed through and not reclocked

Size (w x d x h)

- 4.6" x 1.71" x 0.85" (117.0 x 43.5 x 21.6mm)

Weight

- 0.5 lb (0.3 kg)

Power

- 2 watts, max
- Uses 5-20VDC power, AJA power supply model DWP-U-R1 included

Environment

- Safe Operating Temperature: 0 to 40 C (32 to 104 F)
- Safe Storage Temperature (Power OFF): -40 to 60 C (-40 to 140 F)
- Operating Relative Humidity: 10-90% noncondensing
- Operating Altitude: <3,000 meters (<10,000 feet)

FiDO-2T

Video Formats

- 150 Mbps - 3 Gbps, format agnostic

Video Input Digital

- 2-channel independent 3G-SDI BNC Inputs, SMPTE-259/292/424

Video Output Digital

- 2-channel independent Single Mode LC Fiber Outputs, SMPTE-297
- Nominal Wavelength: 1310 nm
- Optical Power: -5dBm (Min), 0dBm (Max)
- Extinction Ratio: 7.5dB (Typ)

Reclocking

- 270 Mbps, 1.483 Gbps, 1.485 Gbps, 2.966 Gbps, 2.970 Gbps - Auto Select
- All other rates are passed through and not reclocked

Size (w x d x h)

- 4.6" x 1.71" x 0.85" (117.0 x 43.5 x 21.6mm)

Weight

- 0.5 lb (0.3 kg)

Power

- 3 watts, max
- Uses 5-20VDC power, AJA power supply model DWP-U-R1 included

Environment

- Safe Operating Temperature: 0 to 40 C (32 to 104 F)
- Safe Storage Temperature (Power OFF): -40 to 60 C (-40 to 140 F)
- Operating Relative Humidity: 10-90% noncondensing
- Operating Altitude: <3,000 meters (<10,000 feet)

FiDO-2R

Video Formats

- 150 Mbps - 3 Gbps, format agnostic

Video Input Digital

- 2-channel independent Single Mode LC Fiber Inputs, SMPTE-297
- Nominal Wavelength: 1260 - 1620 nm
- Optical Sensitivity: -18 dBm (Max)
- Overload Power: -3 dBm (Min)

Video Output Digital

- 2-channel independent 3G-SDI BNC Outputs, SMPTE-259/292/424

Reclocking

- 270 Mbps, 1.483 Gbps, 1.485 Gbps, 2.966 Gbps, 2.970 Gbps - Auto Select
- All other rates are passed through and not reclocked

Size (w x d x h)

- 4.6" x 1.71" x 0.85" (117.0 x 43.5 x 21.6mm)

Weight

- 0.5 lb (0.3 kg)

Power

- 3 watts, max
- Uses 5-20VDC power, AJA power supply model DWP-U-R1 included

Environment

- Safe Operating Temperature: 0 to 40 C (32 to 104 F)
- Safe Storage Temperature (Power OFF): -40 to 60 C (-40 to 140 F)
- Operating Relative Humidity: 10-90% noncondensing
- Operating Altitude: <3,000 meters (<10,000 feet)

FiDO-4T

Video Formats

- 150 Mbps - 3 Gbps, format agnostic

Video Input Digital

- 4-channel independent 3G-SDI BNC Inputs, SMPTE-259/292/424

Video Output Digital

- 4-channel independent Single Mode LC Fiber Outputs, SMPTE-297
- Nominal Wavelength: 1310 nm
- Optical Power: -5dBm (Min), 0dBm (Max)
- Extinction Ratio: 7.5dB (Typ)

Reclocking

- 270 Mbps, 1.483 Gbps, 1.485 Gbps, 2.966 Gbps, 2.970 Gbps - Auto Select
- All other rates are passed through and not reclocked

Size (w x d x h)

- 4.6" x 4.02" x 0.85" (117 x 102.11 x 21.6mm)

Weight

- 0.8 lb (0.4 kg)

Power

- 5 watts, max
- Uses 5-20VDC power, AJA power supply model DWP-U-R1 included

Environment

- Safe Operating Temperature: 0 to 40 C (32 to 104 F)
- Safe Storage Temperature (Power OFF): -40 to 60 C (-40 to 140 F)
- Operating Relative Humidity: 10-90% noncondensing
- Operating Altitude: <3,000 meters (<10,000 feet)

FiDO-4R

Video Formats

- 150 Mbps - 3 Gbps, format agnostic

Video Input Digital

- 4-channel independent Single Mode LC Fiber Inputs, SMPTE-297
- Nominal Wavelength: 1260 - 1620 nm
- Optical Sensitivity: -18dBm (Max)
- Overload Power: -3dBm (Min)

Video Output Digital

- 4-channel independent 3G-SDI BNC Outputs, SMPTE-259/292/424

Reclocking

- 270 Mbps, 1.483 Gbps, 1.485 Gbps, 2.966 Gbps, 2.970 Gbps - Auto Select
- All other rates are passed through and not reclocked

Size (w x d x h)

- 4.6" x 4.02" x 0.85" (117 x 102.11 x 21.6mm)

Weight

- 0.8 lb (0.4 kg)

Power

- 5 watts, max
- Uses 5-20VDC power, AJA power supply model DWP-U-R1 included

Environment

- Safe Operating Temperature: 0 to 40 C (32 to 104 F)
- Safe Storage Temperature (Power OFF): -40 to 60 C (-40 to 140 F)
- Operating Relative Humidity: 10-90% noncondensing
- Operating Altitude: <3,000 meters (<10,000 feet)

FiDO-T-SC

Video Formats

- 150 Mbps - 3 Gbps, format agnostic

Video Input Digital

- 1-channel independent 3G-SDI BNC Input with SDI Loop out, SMPTE-259/292/424

Video Output Digital

- 1-channel independent 3G-SDI BNC Output, SMPTE-259/292/424
- 1-channel Single Mode SC Fiber Output, SMPTE-297
- Nominal Wavelength: 1310 nm
- Optical Power: -5dBm (Min), 0dBm (Max)
- Extinction Ratio: 7.5dB (Typ)

Reclocking

- 270 Mbps, 1.483 Gbps, 1.485 Gbps, 2.966 Gbps, 2.970 Gbps - Auto Select
- All other rates are passed through and not reclocked

Size (w x d x h)

- 4.6" x 1.71" x 0.85" (117.0 x 43.5 x 21.6mm)

Weight

- 0.5 lb (0.3 kg)

Power

- 2 watts, max
- Uses 5-20VDC power, AJA power supply model DWP-U-R1 included

Environment

- Safe Operating Temperature: 0 to 40 C (32 to 104 F)
- Safe Storage Temperature (Power OFF): -40 to 60 C (-40 to 140 F)
- Operating Relative Humidity: 10-90% noncondensing
- Operating Altitude: <3,000 meters (<10,000 feet)

FiDO-R-SC

Video Formats

- 150 Mbps - 3 Gbps, format agnostic

Video Input Digital

- 1-channel Single Mode SC Fiber Input, SMPTE-297
- Nominal Wavelength: 1260 - 1620 nm
- Optical Sensitivity: -18dBm (Max)
- Overload Power: -3dBm (Min)

Video Output Digital

- 1-channel Dual matching 3G-SDI BNC Outputs, SMPTE-259/292/424

Reclocking

- 270 Mbps, 1.483 Gbps, 1.485 Gbps, 2.966 Gbps, 2.970 Gbps - Auto Select
- All other rates are passed through and not reclocked

Size (w x d x h)

- 4.6" x 1.71" x 0.85" (117.0 x 43.5 x 21.6mm)

Weight

- 0.5 lb (0.3 kg)

Power

- 2 watts, max
- Uses 5-20VDC power, AJA power supply model DWP-U-R1 included

Environment

- Safe Operating Temperature: 0 to 40 C (32 to 104 F)
- Safe Storage Temperature (Power OFF): -40 to 60 C (-40 to 140 F)
- Operating Relative Humidity: 10-90% noncondensing
- Operating Altitude: <3,000 meters (<10,000 feet)

FiDO-T-ST

Video Formats

- 150 Mbps - 3 Gbps, format agnostic

Video Input Digital

- 1-channel independent 3G-SDI BNC Input with SDI Loop out, SMPTE-259/292/424

Video Output Digital

- 1-channel independent 3G-SDI BNC Output, SMPTE-259/292/424
- 1-channel 3G-SDI Single Mode ST Fiber Output connector, SMPTE-297
- Nominal Wavelength: 1310 nm
- Optical Power: -8dBm (Min), -3dBm (Max)
- Extinction Ratio: 9dB (Typ)

Reclocking

- 270 Mbps, 1.483 Gbps, 1.485 Gbps, 2.966 Gbps, 2.970 Gbps - Auto Select
- All other rates are passed through and not reclocked

Size (w x d x h)

- 4.6" x 1.71" x 0.85" (117.0 x 43.5 x 21.6mm)

Weight

- 0.5 lb (0.3 kg)

Power

- 2 watts, max
- Uses 5-20VDC power, AJA power supply model DWP-U-R1 included

Environment

- Safe Operating Temperature: 0 to 40 C (32 to 104 F)
- Safe Storage Temperature (Power OFF): -40 to 60 C (-40 to 140 F)
- Operating Relative Humidity: 10-90% noncondensing
- Operating Altitude: <3,000 meters (<10,000 feet)

FiDO-R-ST

Video Formats

- 150 Mbps - 3 Gbps, format agnostic

Video Input Digital

- 1-channel 3G-SDI Single Mode ST Fiber Input connector, SMPTE-297
- Nominal Wavelength: 1260 - 1620 nm
- Optical Sensitivity: -18dBm (Max)
- Overload Power: -3dBm (Min)

Video Output Digital

- 1-channel Dual matching 3G-SDI BNC Outputs, SMPTE-259/292/424

Reclocking

- 270 Mbps, 1.483 Gbps, 1.485 Gbps, 2.966 Gbps, 2.970 Gbps - Auto Select
- All other rates are passed through and not reclocked

Size (w x d x h)

- 4.6" x 1.71" x 0.85" (117.0 x 43.5 x 21.6mm)

Weight

- 0.5 lb (0.3 kg)

Power

- 2 watts, max
- Uses 5-20VDC power, AJA power supply model DWP-U-R1 included

Environment

- Safe Operating Temperature: 0 to 40 C (32 to 104 F)
- Safe Storage Temperature (Power OFF): -40 to 60 C (-40 to 140 F)
- Operating Relative Humidity: 10-90% noncondensing
- Operating Altitude: <3,000 meters (<10,000 feet)

FiDO-4T-ST

Video Formats

- 150 Mbps - 3 Gbps, format agnostic

Video Input Digital

- 4-channel independent 3G-SDI BNC Inputs, SMPTE-259/292/424

Video Output Digital

- 4-channel independent 3G-SDI Single Mode ST Fiber Output connectors, SMPTE-297
- Nominal Wavelength: 1310 nm
- Optical Power: -8dBm (Min), -3dBm (Max)
- Extinction Ratio: 9dB (Typ)

Reclocking

- 270 Mbps, 1.483 Gbps, 1.485 Gbps, 2.966 Gbps, 2.970 Gbps - Auto Select
- All other rates are passed through and not reclocked

Size (w x d x h)

- 4.6" x 4.02" x 0.85" (117.0 x 102.11 x 21.6mm)

Weight

- 0.8 lb (0.4 kg)

Power

- 5 watts, max
- Uses 5-20VDC power, AJA power supply model DWP-U-R1 included

Environment

- Safe Operating Temperature: 0 to 40 C (32 to 104 F)
- Safe Storage Temperature (Power OFF): -40 to 60 C (-40 to 140 F)
- Operating Relative Humidity: 10-90% noncondensing
- Operating Altitude: <3,000 meters (<10,000 feet)

FiDO-4R-ST

Video Formats

- 150 Mbps - 3 Gbps, format agnostic

Video Input Digital

- 4-channel independent 3G-SDI Single Mode ST Fiber Input connectors, SMPTE-297
- Nominal Wavelength: 1260 - 1620 nm
- Optical Sensitivity: -18dBm (Max)
- Overload Power: -3dBm (Min)

Video Output Digital

- 4-channel independent 3G-SDI BNC Outputs, SMPTE-259/292/424

Reclocking

- 270 Mbps, 1.483 Gbps, 1.485 Gbps, 2.966 Gbps, 2.970 Gbps - Auto Select
- All other rates are passed through and not reclocked

Size (w x d x h)

- 4.6" x 4.02" x 0.85" (117.0 x 102.11 x 21.6mm)

Weight

- 0.8 lb (0.4 kg)

Power

- 5 watts, max
- Uses 5-20VDC power, AJA power supply model DWP-U-R1 included

Environment

- Safe Operating Temperature: 0 to 40 C (32 to 104 F)
- Safe Storage Temperature (Power OFF): -40 to 60 C (-40 to 140 F)
- Operating Relative Humidity: 10-90% noncondensing
- Operating Altitude: <3,000 meters (<10,000 feet)

FiDO-TR-MM

Video Formats

- 150 Mbps - 3 Gbps, format agnostic

Video Input Digital

- 1-channel independent 3G-SDI BNC Input, SMPTE-259/292/424
- 1-channel Multi-Mode LC Fiber Input, SMPTE-297
- Nominal Wavelength: 850 nm
- Optical Sensitivity: 0dBm (Min), -15dBm (Max)

Video Output Digital

- 1-channel independent 3G-SDI BNC Output, SMPTE-259/292/424
- 1-channel Multi-Mode LC Fiber Output, SMPTE-297
- Nominal Wavelength: 850 nm
- Optical Power: -7dBm (Min), -2dBm (Max)
- Extinction Ratio: 7.5dB (Typ)

Reclocking

- 270 Mbps, 1.483 Gbps, 1.485 Gbps, 2.966 Gbps, 2.970 Gbps - Auto Select
- All other rates are passed through and not reclocked

Size (w x d x h)

- 4.6" x 1.71" x 0.85" (117.0 x 43.5 x 21.6mm)

Weight

- 0.4 lb (0.2 kg)

Power

- 3 watts, max
- Uses 5-20VDC power, AJA power supply model DWP-U-R1 included

Environment

- Safe Operating Temperature: 0 to 40 C (32 to 104 F)
- Safe Storage Temperature (Power OFF): -40 to 60 C (-40 to 140 F)
- Operating Relative Humidity: 10-90% noncondensing
- Operating Altitude: <3,000 meters (<10,000 feet)

FiDO-T-MM

Video Formats

- 150 Mbps - 3 Gbps, format agnostic

Video Input Digital

- 1-channel independent 3G-SDI Input with SDI Loop out, SMPTE-259/292/424

Video Output Digital

- 1-channel independent 3G-SDI BNC Output, SMPTE-259/292/424
- 1-channel Multi-Mode LC Fiber Output, SMPTE-297
- Nominal Wavelength: 850 nm
- Optical Power: -7dBm (Min), -2dBm (Max)
- Extinction Ratio: 7.5dB (Typ)

Reclocking

- 270 Mbps, 1.483 Gbps, 1.485 Gbps, 2.966 Gbps, 2.970 Gbps - Auto Select
- All other rates are passed through and not reclocked

Size (w x d x h)

- 4.6" x 1.71" x 0.85" (117.0 x 43.5 x 21.6mm)

Weight

- 0.5 lb (0.3 kg)

Power

- 2 watts, max
- Uses 5-20VDC power, AJA power supply model DWP-U-R1 included

Environment

- Safe Operating Temperature: 0 to 40 C (32 to 104 F)
- Safe Storage Temperature (Power OFF): -40 to 60 C (-40 to 140 F)
- Operating Relative Humidity: 10-90% noncondensing
- Operating Altitude: <3,000 meters (<10,000 feet)

FiDO-R-MM

Video Formats

- 150 Mbps - 3 Gbps, format agnostic

Video Input Digital

- 1-channel Multi-Mode LC Fiber Input, SMPTE-297
- Nominal Wavelength: 850 nm
- Optical Sensitivity: 0dBm (Min), -15dBm (Max)

Video Output Digital

- 1-channel Dual matching 3G-SDI BNC Outputs, SMPTE-259/292/424c

Reclocking

- 270 Mbps, 1.483 Gbps, 1.485 Gbps, 2.966 Gbps, 2.970 Gbps - Auto Select
- All other rates are passed through and not reclocked

Size (w x d x h)

- 4.6" x 1.71" x 0.85" (117.0 x 43.5 x 21.6mm)

Weight

- 0.5 lb (0.3 kg)

Power

- 2 watts, max
- Uses 5-20VDC power, AJA power supply model DWP-U-R1 included

Environment

- Safe Operating Temperature: 0 to 40 C (32 to 104 F)
- Safe Storage Temperature (Power OFF): -40 to 60 C (-40 to 140 F)
- Operating Relative Humidity: 10-90% noncondensing
- Operating Altitude: <3,000 meters (<10,000 feet)

FiDO-2T-MM

Video Formats

- 150 Mbps - 3 Gbps, format agnostic

Video Input Digital

- 2-channel independent 3G-SDI BNC Inputs, SMPTE-259/292/424

Video Output Digital

- 2-channel independent Multi-Mode LC Fiber Outputs, SMPTE-297
- Nominal Wavelength: 850 nm
- Optical Power: -7dBm (Min), -2dBm (Max)
- Extinction Ratio: 7.5dB (Typ)

Reclocking

- 270 Mbps, 1.483 Gbps, 1.485 Gbps, 2.966 Gbps, 2.970 Gbps - Auto Select
- All other rates are passed through and not reclocked

Size (w x d x h)

- 4.6" x 1.71" x 0.85" (117.0 x 43.5 x 21.6mm)

Weight

- 0.5 lb (0.3 kg)

Power

- 3 watts, max
- Uses 5-20VDC power, AJA power supply model DWP-U-R1 included

Environment

- Safe Operating Temperature: 0 to 40 C (32 to 104 F)
- Safe Storage Temperature (Power OFF): -40 to 60 C (-40 to 140 F)
- Operating Relative Humidity: 10-90% noncondensing
- Operating Altitude: <3,000 meters (<10,000 feet)

FiDO-2R-MM

Video Formats

- 150 Mbps - 3 Gbps, format agnostic

Video Input Digital

- 2-channel independent Multi-Mode LC Fiber Inputs, SMPTE-297
- Nominal Wavelength: 850 nm
- Optical Sensitivity: 0dBm (Min), -15dBm (Max)

Video Output Digital

- 2-channel independent 3G-SDI BNC Outputs, SMPTE-259/292/424

Reclocking

- 270 Mbps, 1.483 Gbps, 1.485 Gbps, 2.966 Gbps, 2.970 Gbps - Auto Select
- All other rates are passed through and not reclocked

Size (w x d x h)

- 4.6" x 1.71" x 0.85" (117.0 x 43.5 x 21.6mm)

Weight

- 0.5 lb (0.3 kg)

Power

- 3 watts, max
- Uses 5-20VDC power, AJA power supply model DWP-U-R1 included

Environment

- Safe Operating Temperature: 0 to 40 C (32 to 104 F)
- Safe Storage Temperature (Power OFF): -40 to 60 C (-40 to 140 F)
- Operating Relative Humidity: 10-90% noncondensing
- Operating Altitude: <3,000 meters (<10,000 feet)

FiDO-4T-MM

Video Formats

- 150 Mbps - 3 Gbps, format agnostic

Video Input Digital

- 4-channel independent 3G-SDI BNC Inputs, SMPTE-259/292/424

Video Output Digital

- 4-channel independent Multi-Mode LC Fiber Outputs, SMPTE-297
- Nominal Wavelength: 850 nm
- Optical Power: -7dBm (Min), -2dBm (Max)
- Extinction Ratio: 7.5dB (Typ)

Reclocking

- 270 Mbps, 1.483 Gbps, 1.485 Gbps, 2.966 Gbps, 2.970 Gbps - Auto Select
- All other rates are passed through and not reclocked

Size (w x d x h)

- 4.6" x 4.02" x 0.85" (117.0 x 102.11 x 21.6mm)

Weight

- 0.8 lb (0.4 kg)

Power

- 5 watts, max
- Uses 5-20VDC power, AJA power supply model DWP-U-R1 included

Environment

- Safe Operating Temperature: 0 to 40 C (32 to 104 F)
- Safe Storage Temperature (Power OFF): -40 to 60 C (-40 to 140 F)
- Operating Relative Humidity: 10-90% noncondensing
- Operating Altitude: <3,000 meters (<10,000 feet)

FiDO-4R-MM

Video Formats

- 150 Mbps - 3 Gbps, format agnostic

Video Input Digital

- 4-channel independent Multi-Mode LC Fiber Inputs, SMPTE-297
- Nominal Wavelength: 850 nm
- Optical Sensitivity: 0dBm (Min), -15dBm (Max)

Video Output Digital

- 4-channel independent 3G-SDI BNC Outputs, SMPTE-259/292/424

Reclocking

- 270 Mbps, 1.483 Gbps, 1.485 Gbps, 2.966 Gbps, 2.970 Gbps - Auto Select
- All other rates are passed through and not reclocked

Size (w x d x h)

- 4.6" x 4.02" x 0.85" (117.0 x 102.11 x 21.6mm)

Weight

- 0.8 lb (0.4 kg)

Power

- 5 watts, max
- Uses 5-20VDC power, AJA power supply model DWP-U-R1 included

Environment

- Safe Operating Temperature: 0 to 40 C (32 to 104 F)
- Safe Storage Temperature (Power OFF): -40 to 60 C (-40 to 140 F)
- Operating Relative Humidity: 10-90% noncondensing
- Operating Altitude: <3,000 meters (<10,000 feet)

Appendix B – Safety and Compliance

Federal Communications Commission (FCC) Compliance Notices

Class A Interference Statement

This equipment has been tested and found to comply with the limits for a Class A digital device, pursuant to Part 15, Subpart B of the FCC Rules. These limits are designed to provide reasonable protection against harmful interference in a residential installation. This equipment generates, uses, and can radiate radio frequency energy and, if not installed and used in accordance with the instructions, may cause harmful interference to radio communications. However, there is no guarantee that interference will not occur in a particular installation. If this equipment does cause harmful interference to radio or television reception, which can be determined by turning the equipment off and on, the user is encouraged to try to correct the interference by one or more of the following measures:

- Reorient or relocate the receiving antenna.
- Increase the separation between the equipment and receiver.
- Connect the equipment into an outlet on a circuit different from that to which the receiver is connected.
- Consult the dealer or an experienced radio/TV technician for help.

FCC Caution

This device complies with Part 15 of the FCC Rules. Operation is subject to the following two conditions: (1) This device may not cause harmful interference, and (2) this device must accept any interference received, including interference that may cause undesired operation.

Canadian ICES Statement

Canadian Department of Communications Radio Interference Regulations

This digital apparatus does not exceed the Class A limits for radio-noise emissions from a digital apparatus as set out in the Radio Interference Regulations of the Canadian Department of Communications. This Class A digital apparatus complies with Canadian ICES-003.

Règlement sur le brouillage radioélectrique du ministère des Communications

Cet appareil numérique respecte les limites de bruits radioélectriques visant les appareils numériques de classe A prescrites dans le Règlement sur le brouillage radioélectrique du ministère des Communications du Canada. Cet appareil numérique de la Classe A est conforme à la norme NMB-003 du Canada.

European Union, European Free Trade Association (EFTA) and United Kingdom Regulatory Compliance

This equipment may be operated in the countries that comprise the member countries of the European Union, European Free Trade Association and the United Kingdom. These countries, listed in the following paragraph, are referred to as The European Community throughout this document:

AUSTRIA, BELGIUM, BULGARIA, CROATIA, CZECH REPUBLIC, DENMARK, ESTONIA, FINLAND, FRANCE, GERMANY, GREECE, HUNGARY, ICELAND, IRELAND, ITALY, LATVIA, LIECHTENSTEIN, LITHUANIA, LUXEMBOURG, MALTA, NETHERLANDS, NORWAY, POLAND, PORTUGAL, REPUBLIC OF CYPRUS, ROMANIA, SLOVAK REPUBLIC, SLOVENIA, SPAIN, SWEDEN, SWITZERLAND, UNITED KINGDOM

Declaration of Conformity

Marking by these symbols indicates compliance with the Essential Requirements of the EMC Directive of the European Union 2014/30/EU.



This equipment meets the following conformance standards:

Safety

EN 60065: 2002 + A1: 2006 + A11: 2008 + A2: 2010 + A12: 2011 (GS License)

IEC 60065: 2001 + A1: 2005 + A2: 2010 (CB Scheme Report/Certificate)

Additional licenses issued for specific countries available on request.

Emissions

EN 55032: 2012, EN 55022: 2010,

CISPR 22: 2008,

EN 61000-3-2: 2014, EN 61000-3-3: 2013

Immunity

EN 55103-2: 2009, EN 61000-4-2: 2009,

EN 61000-4-3: 2006 + A1: 2008 + A2: 2010,

EN 61000-4-4: 2004 + A1: 2010,

EN 61000-4-5: 2006, EN 61000-4-6: 2009, EN 61000-4-11: 2004

Environments: E2, E3 and E4

The product is also licensed for additional country specific standards as required for the International Marketplace

Recycling Notice



This symbol on the product or its packaging indicates that this product must not be disposed of with your other household waste. Instead, it is your responsibility to dispose of your waste equipment by handing it over to a designated collection point for the recycling of waste electrical and electronic equipment. The separate collection and recycling of your waste equipment at the time of disposal will help conserve natural resources and ensure that it is recycled in a manner that protects human health and the environment. For more information about where you can drop off your waste for recycling, please contact your local authority, or where you purchased your product.

Korea KCC Compliance Statement

사용자 안내문

이 기기는 업무용 환경에서 사용할 목적으로 적합성평가를 받은 기기로서 가정용 환경에서 사용하는 경우 전파간섭의 우려가 있습니다.

Taiwan Compliance Statement

警告使用者：
這是甲類的資訊產品，在居住的環境中使用時，可能會造成射頻干擾，在這種情況下，使用者會被要求採取某些適當的對策。

This is a Class A product based on the standard of the Bureau of Standards, Metrology and Inspection (BSMI) CNS 13438, Class A. In a domestic environment this product may cause radio interference in which case the user may be required to take adequate measures.

Japanese Compliance Statement

この装置は、クラスA情報技術装置です。この装置を家庭環境で使用すると電波妨害を引き起こすことがあります。この場合には使用者が適切な対策を講ずるよう要求されることがあります。 VCCI-A

This is a Class A product based on the standard of the VCCI Council (VCCI V-3/2015.04). If this is used near a radio or television receiver in a domestic environment, it may cause radio interference. Install and use the equipment according to the instruction manual.

Translated Warning and Caution Messages

The following caution statements, warning conventions, and warning messages apply to this product and manual.



Warning Symbol



Caution Symbol



Before Operation Please Read These Instructions



Warning! Read and follow all warning notices and instructions marked on the product or included in the documentation.

Avertissement! Lisez et conformez-vous à tous les avis et instructions d'avertissement indiqués sur le produit ou dans la documentation.

Warnung! Lesen und befolgen Sie die Warnhinweise und Anweisungen, die auf dem Produkt angebracht oder in der Dokumentation enthalten sind.

¡Advertencia! Lea y siga todas las instrucciones y advertencias marcadas en el producto o incluidas en la documentación.

Aviso! Leia e siga todos os avisos e instruções assinalados no produto ou incluídos na documentação.

Avviso! Leggere e seguire tutti gli avvisi e le istruzioni presenti sul prodotto o inclusi nella documentazione.



Warning! Do not use this device near water and clean only with a dry cloth.

Avertissement! N'utilisez pas cet appareil près de l'eau et nettoyez-le seulement avec un tissu sec.

Warnung! Das Gerät nicht in der Nähe von Wasser verwenden und nur mit einem trockenen Tuch säubern.

¡Advertencia! No utilice este dispositivo cerca del agua y límpielo solamente con un paño seco.

Aviso! Não utilize este dispositivo perto da água e limpe-o somente com um pano seco.

Avviso! Non utilizzare questo dispositivo vicino all'acqua e pulirlo soltanto con un panno asciutto.



Warning! Do not block any ventilation openings. Install in accordance with the manufacturer's instructions.

Avertissement! Ne bloquez aucune ouverture de ventilation. Suivez les instructions du fabricant lors de l'installation.

Warnung! Die Lüftungsöffnungen dürfen nicht blockiert werden. Nur gemäß den Anweisungen des Herstellers installieren.

¡Advertencia! No bloquee ninguna de las aberturas de la ventilación. Instale de acuerdo con las instrucciones del fabricante.

Aviso! Não obstrua nenhuma das aberturas de ventilação. Instale de acordo com as instruções do fabricante.

Avviso! Non ostruire le aperture di ventilazione. Installare in conformità con le istruzioni del fornitore.



Warning! Do not install near any heat sources such as radiators, heat registers, stoves, or other apparatus (including amplifiers) that produce heat.

Avertissement! N'installez pas l'appareil près d'une source de chaleur telle que des radiateurs, des bouches d'air de chauffage, des fourneaux ou d'autres appareils (amplificateurs compris) qui produisent de la chaleur.

Warnung! Nicht in der Nähe von Wärmequellen wie Heizkörpern, Heizregistern, Öfen oder anderen Wärme erzeugenden Geräten (einschließlich Verstärkern) aufstellen.

¡Advertencia! No instale cerca de fuentes de calor tales como radiadores, registros de calor, estufas u otros aparatos (incluidos amplificadores) que generan calor.

Aviso! Não instale perto de nenhuma fonte de calor tal como radiadores, saídas de calor, fogões ou outros aparelhos (incluindo amplificadores) que produzam calor.

Avviso! Non installare vicino a fonti di calore come termosifoni, diffusori di aria calda, stufe o altri apparecchi (amplificatori compresi) che emettono calore.



Warning! Do not defeat the safety purpose of the polarized or grounding-type plug. A polarized plug has two blades with one wider than the other. A grounding type plug has two blades and a third grounding prong. The wide blade or the third prong are provided for your safety. If the provided plug does not fit into your outlet, consult an electrician for replacement of the obsolete outlet.

Avertissement! La sécurité de la prise polarisée ou de la prise de type mise à la terre ne doit en aucun cas être empêchée de fonctionner. Une prise polarisée a deux broches, l'une étant plus large que l'autre. Une prise de type mise à la terre a deux broches et une troisième broche pour la mise à la terre. La broche large ou la troisième broche sont fournies pour votre sécurité. Si la prise fournie ne s'insère pas dans votre prise femelle, consultez un électricien pour le remplacement de la prise femelle obsolète.

Warnung! Der Sicherheitszweck des gepolten bzw. Schukosteckers ist zu berücksichtigen. Ein gepolter Stecker verfügt über zwei Pole, von denen einer breiter als der andere ist. Ein Schukostecker verfügt neben den zwei Polen noch über einen dritten Pol zur Erdung. Der breite Pol bzw. der Erdungspol dienen der Sicherheit. Wenn der zur Verfügung gestellte Stecker nicht in Ihren Anschluss passt, konsultieren Sie einen Elektriker, um den veralteten Anschluss zu ersetzen.

¡Advertencia! No eche por tierra la finalidad del tipo de enchufe polarizado con conexión a tierra. Un enchufe polarizado tiene dos espigas, una más ancha que la otra. Un enchufe con conexión a tierra tiene dos espigas iguales y una tercera espiga que sirve para la conexión a tierra. La espiga ancha, o la tercera espiga, sirven para su seguridad. Si el enchufe suministrado no encaja en el tomacorriente, consulte con un electricista para reemplazar el tomacorriente obsoleto.

Aviso! Não anule a finalidade da segurança da ficha polarizada ou do tipo ligação terra. Uma ficha polarizada tem duas lâminas sendo uma mais larga do que a outra. Uma ficha do tipo de ligação à terra tem duas lâminas e um terceiro terminal de ligação à terra. A lâmina larga ou o terceiro terminal são fornecidos para sua segurança. Se a ficha fornecida não couber na sua tomada, consulte um electricista para a substituição da tomada obsoleta.

Avviso! Non compromettere la sicurezza della spina polarizzata o con messa a terra. Una spina polarizzata ha due spinotti, di cui uno più largo. Una spina con messa a terra ha due spinotti e un terzo polo per la messa a terra. Lo spinotto largo o il terzo polo sono forniti per motivi di sicurezza. Se la spina fornita non si inserisce nella presa di corrente, contattare un elettricista per la sostituzione della presa obsoleta.



Warning! Since the Mains plug is used as the disconnection for the device, it must remain readily accessible and operable.

Avertissement! Puisque la prise principale est utilisée pour débrancher l'appareil, elle doit rester aisément accessible et fonctionnelle.

Warnung! Da der Netzstecker als Trennvorrichtung dient, muss er stets zugänglich und funktionsfähig sein.

¡Advertencia! Puesto que el enchufe de la red eléctrica se utiliza como dispositivo de desconexión, debe seguir siendo fácilmente accesible y operable.

Aviso! Dado que a ficha principal é utilizada como a desconexão para o dispositivo, esta deve manter-se prontamente acessível e funcional.

Avviso! Poiché il cavo di alimentazione viene usato come dispositivo di sconnessione, deve rimanere prontamente accessibile e operabile.



Warning! Protect the power cord from being walked on or pinched particularly at plugs, convenience receptacles, and the point where they exit from the device.

Avertissement! Protégez le cordon d'alimentation pour que l'on ne marche pas dessus ou qu'on le pince, en particulier au niveau des prises mâles, des réceptacles de convenance, et à l'endroit où il sort de l'appareil.

Warnung! Vermeiden Sie, dass auf das Netzkabel getreten oder das Kabel geknickt wird, insbesondere an den Steckern, den Steckdosen und am Kabelausgang am Gerät.

¡Advertencia! Proteja el cable de energía para que no se le pise ni apriete, en especial cerca del enchufe, los receptáculos de conveniencia y el punto del que salen del equipo.

Aviso! Proteja o cabo de alimentação de ser pisado ou de ser comprimido particularmente nas fichas, em tomadas de parede de conveniência e no ponto de onde sai do dispositivo.

Avviso! Proteggere il cavo di alimentazione in modo che nessuno ci cammini sopra e che non venga schiacciato soprattutto in corrispondenza delle spine e del punto in cui esce dal dispositivo.



Warning! Unplug this device during lightning storms or when unused for long periods of time.

Avertissement! Débranchez cet appareil pendant les orages avec éclairsoù s'il est inutilisé pendant de longues périodes.

Warnung! Das Gerät ist bei Gewitterstürmen oder wenn es über lange Zeiträume ungenutzt bleibt vom Netz zu trennen.

¡Advertencia! Desenchufe este dispositivo durante tormentas eléctricas o cuando no se lo utilice por largos periodos del tiempo.

Aviso! Desconecte este dispositivo da tomada durante trovoadas ou quando não é utilizado durante longos períodos de tempo.

Avviso! Utilizzare soltanto i collegamenti e gli accessori specificati e/o venduti dal produttore, quali il treppiedi e l'esoscheletro.



Warning! Refer all servicing to qualified service personnel. Servicing is required when the device has been damaged in any way, such as power-supply cord or plug is damaged, liquid has been spilled or objects have fallen into the device, the device has been exposed to rain or moisture, does not operate normally, or has been dropped.

Avertissement! Référez-vous au personnel de service qualifié pour tout entretien. L'entretien est exigé quand l'appareil a été endommagé de quelque manière que ce soit, par exemple lorsque le cordon d'alimentation ou la prise sont endommagés, que du liquide a été versé ou des objets sont tombés dans l'appareil, que l'appareil a été exposé à la pluie ou à l'humidité, ne fonctionne pas normalement ou est tombé.

Warnung! Das Gerät sollte nur von qualifizierten Fachkräften gewartet werden. Eine Wartung ist fällig, wenn das Gerät in irgendeiner Weise beschädigt wurde, wie bei beschädigtem Netzkabel oder Netzstecker, falls Flüssigkeiten oder Objekte in das Gerät gelangen, das Gerät Regen oder Feuchtigkeit ausgesetzt wurde, nicht ordnungsgemäß funktioniert oder fallen gelassen wurde.

¡Advertencia! Consulte al personal calificado por cuestiones de reparación. El servicio de reparación se requiere cuando el dispositivo ha recibido cualquier tipo de daño, por ejemplo cable o espigas dañadas, se ha derramado líquido o se han caído objetos dentro del dispositivo, el dispositivo ha sido expuesto a la lluvia o humedad, o no funciona de modo normal, o se ha caído.

Aviso! Remeta todos os serviços de manutenção para o pessoal de assistência qualificado. A prestação de serviços de manutenção é exigida quando o dispositivo foi danificado mediante qualquer forma, como um cabo de alimentação ou ficha que se encontra danificado/a, quando foi derramado líquido ou caíram objectos sobre o dispositivo, quando o dispositivo foi exposto à chuva ou à humidade, quando não funciona normalmente ou quando foi deixado cair.

Avviso! Fare riferimento al personale qualificato per tutti gli interventi di assistenza. L'assistenza è necessaria quando il dispositivo è stato danneggiato in qualche modo, ad esempio se il cavo di alimentazione o la spina sono danneggiati, è stato rovesciato del liquido è stato rovesciato o qualche oggetto è caduto nel dispositivo, il dispositivo è stato esposto a pioggia o umidità, non funziona correttamente o è caduto.



Warning! Do not open the chassis. There are no user-serviceable parts inside. Opening the chassis will void the warranty unless performed by an AJA service center or licensed facility.

Avertissement! Ne pas ouvrir le châssis. Aucun élément à l'intérieur du châssis ne peut être réparé par l'utilisateur. La garantie sera annulée si le châssis est ouvert par toute autre personne qu'un technicien d'un centre de service ou d'un établissement agréé AJA.

Warnung! Öffnen Sie das Gehäuse nicht. Keine der Geräteteile können vom Benutzer gewartet werden. Durch das Öffnen des Gehäuses wird die Garantie hinfällig, es sei denn, solche Wartungsarbeiten werden in einem AJA-Service-Center oder einem lizenzierten Betrieb vorgenommen.

¡Advertencia! No abra el chasis. El interior no contiene piezas reparables por el usuario. El abrir el chasis anulará la garantía a menos que se lo haga en un centro de servicio AJA o en un local autorizado.

Advertência! Não abra o chassi. Não há internamente nenhuma peça que permita manutenção pelo usuário. Abrir o chassi anula a garantia, a menos que a abertura seja realizada por uma central de serviços da AJA ou por um local autorizado.

Avvertenza! Non aprire lo chassis. All'interno non ci sono parti riparabili dall'utente. L'apertura dello chassis invaliderà la garanzia se non viene effettuata da un centro ufficiale o autorizzato AJA.



Warning! Disconnect the external AC power supply line cord(s) from the mains power before moving the unit.

Avertissement! Retirez le ou les cordons d'alimentation en CA de la source d'alimentation principale lorsque vous déplacez l'appareil.

Warnung! Trennen Sie die Wechselstrom-Versorgungskabel vom Netzstrom, bevor Sie das Gerät verschieben.

¡Advertencia! Cuando mueva la unidad desenchufe de la red eléctrica el/los cable(s) de la fuente de alimentación CA tipo brick.

Advertência! Remova os cabos CA de alimentação brick da rede elétrica ao mover a unidade.

Avvertenza! Scollegare il cavo dell'alimentatore quando si sposta l'unità.



CLASS 1
LASER
PRODUCT

Warning! AJA models that contain Class 1 Laser products use active fiber-optic cables that emit radiation invisible to the human eye. Do not look directly at the end of an active fiber-optic cable or the fiber connector.

Avertissement! Les modèles AJA contenant des produits laser de classe 1 utilisent des câbles à fibres optiques actives qui émettent un rayonnement invisible à l'œil humain. Ne regardez pas directement l'extrémité d'un câble à fibre optique actif ou le connecteur de fibre.

Warnung! AJA-Modelle, die Laserprodukte der Klasse 1 enthalten, verwenden aktive Glasfaserkabel, die für das menschliche Auge unsichtbare Strahlung aussenden. Schauen Sie nicht direkt auf das Ende eines aktiven Glasfaserkabels oder den Glasfaserstecker.

¡Advertencia! Los modelos AJA que contienen productos láser de Clase 1 utilizan cables de fibra óptica activos que emiten radiación invisible para el ojo humano. No mire directamente al extremo de un cable de fibra óptica activo ni al conector de fibra.

Advertência! Os modelos AJA que contém produtos Laser Classe 1 utilizam cabos de fibra óptica ativa que emitem radiação invisível ao olho humano. Não olhe diretamente para a extremidade de um cabo de fibra óptica ativo ou para o conector de fibra.

Avvertenza! I modelli AJA che contengono prodotti laser di Classe 1 utilizzano cavi in fibra ottica attivi che emettono radiazioni invisibili all'occhio umano. Non guardare direttamente l'estremità di un cavo in fibra ottica attivo o il connettore in fibra.

Warranty Information

Limited Warranty on Hardware.

AJA Video Systems, Inc. (AJA Video) warrants that the hardware product, not including software components, will be free from defects in materials and workmanship for a period of five years from the date of purchase. AJA Video provides a separate software warranty as part of the license agreement applicable to software components.

If the Customer brings a valid claim under this limited warranty for a hardware product (hereafter, a "product") during the applicable warranty period, AJA Video will, at its sole option and as the Customer's sole remedy for breach of the above warranty, provide one of the following remedies:

Repair or facilitate the repair the product within a reasonable period of time, free of charge for parts and labor.

Replace the product with a direct replacement or with a product that performs substantially the same function as the original product.

Issue a refund of the original purchase price less depreciation to be determined based on the age of the product at the time remedy is sought under this limited warranty.

To obtain service under this warranty, the Customer must notify AJA Video of the defect before expiration of the warranty period and make suitable arrangements for the performance of service by contacting AJA Video support through the channels set forth on the support contacts web page at <https://www.aja.com/support>.

Except as stated, the Customer shall bear all shipping, packing, insurance and other costs, excluding parts and labor, to effectuate repair. Customer shall pack and ship the defective product to a service center designated by AJA Video, with shipping charges prepaid. AJA Video shall pay to return the product to Customer, but only if to a location within the country in which the AJA Video service center is located. SOME JURISDICTIONS DO NOT ALLOW THE EXCLUSION OF IMPLIED WARRANTIES OR LIMITATIONS ON APPLICABLE STATUTORY RIGHTS OF A CONSUMER, SO SOME OR ALL OF THE TERMS OF THIS PARAGRAPH MAY NOT APPLY TO YOU.

Limitation of Liability

Under no circumstances shall AJA video BE LIABLE IN ANY WAY FOR ANY LOST, CORRUPTED OR DESTROYED DATA, FOOTAGE OR WORK, OR FOR ANY OTHER INDIRECT, SPECIAL, INCIDENTAL OR CONSEQUENTIAL DAMAGES OR LOST PROFITS, OR FOR ANY THIRD PARTY CLAIM, IN CONNECTION WITH THE PRODUCT, WHETHER RESULTING FROM DEFECTS IN THE PRODUCT, SOFTWARE OR HARDWARE FAILURE, OR ANY OTHER CAUSE WHATSOEVER, EVEN IF AJA VIDEO HAS BEEN ADVISED OF THE POSSIBILITY OF SUCH DAMAGES. AJA VIDEO'S LIABILITY IN CONNECTION WITH THE PRODUCT SHALL UNDER NO CIRCUMSTANCES EXCEED THE PURCHASE PRICE PAID FOR THE PRODUCT. The foregoing limitations apply even if any remedy set forth in this LIMITED WARRANTY fails of its essential purpose. SOME JURISDICTIONS DO NOT ALLOW THE LIMITATION OF LIABILITY FOR PERSONAL INJURY, OR OF INCIDENTAL OR CONSEQUENTIAL DAMAGES, SO SOME OR ALL OF THE TERMS OF THIS PARAGRAPH MAY NOT APPLY TO YOU.

Governing Law and Language; Your Rights.

This limited warranty is the only warranty provided by AJA Video on the hardware product. It supersedes all prior or contemporaneous understandings regarding such subject matter. No amendment to or modification of this warranty will be binding unless in writing and signed by AJA Video. The laws of the State of California, USA will govern this warranty and any dispute arising from it. Any translation of this Agreement is intended for convenience and to meet local requirements and in the event of a dispute between the English and any non-English versions, the English version of this warranty will govern. This limited warranty gives you specific legal rights and you may have other rights that vary from jurisdiction to jurisdiction, some of which are noted above.